

STANDING CIRCULATION FAN

INSTRUCTION MANUAL



Model:KCF-10TRD

Please read the instructions carefully before using this product.

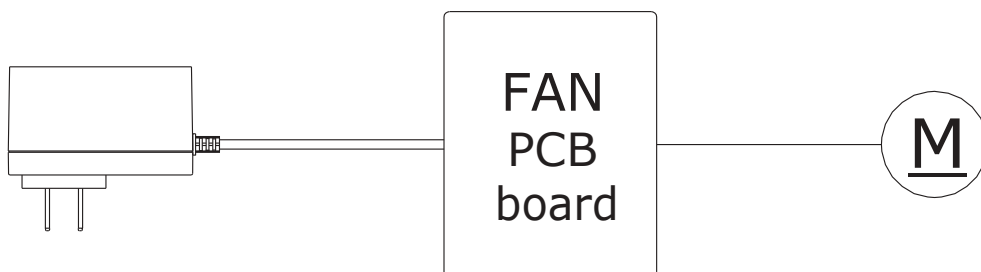
PRODUCT PARAMETERS

Product name:	Standing Circulation Fan
Model:	KCF-10TRD C24V,
Adapter:	1A
Motor:	DC Motor
Rated power:	24W
Product size:	602X524X962mm
Net weight:	2.08kg
Packing list:	Fan head x1、Iron pipe x6、remote control x1、 User manual x1、power adapter x1

POWER ADAPTER SPECIFICATION

Input data:	AC100-240V, 50/60Hz
Output data:	DC24V, 1A

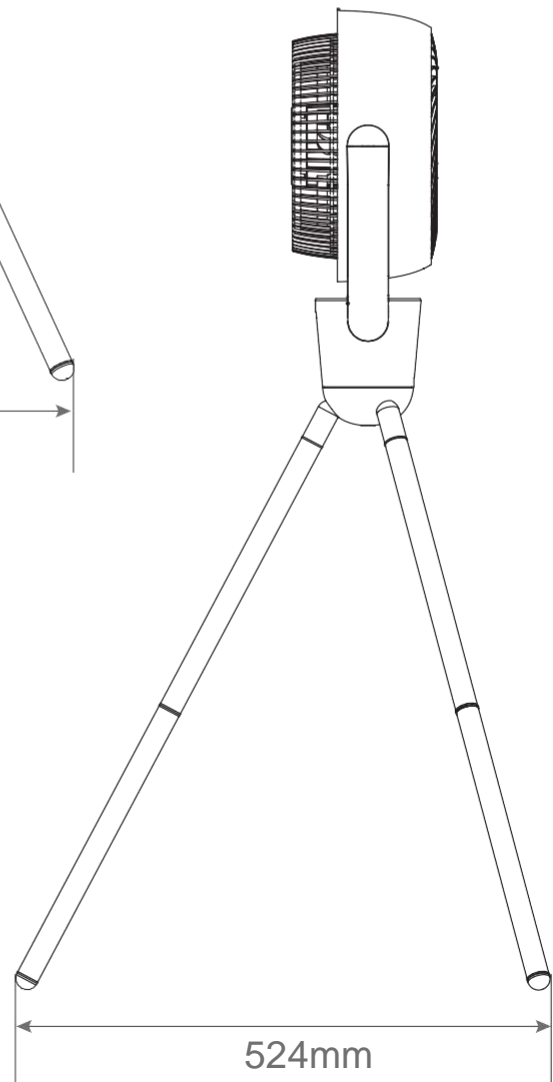
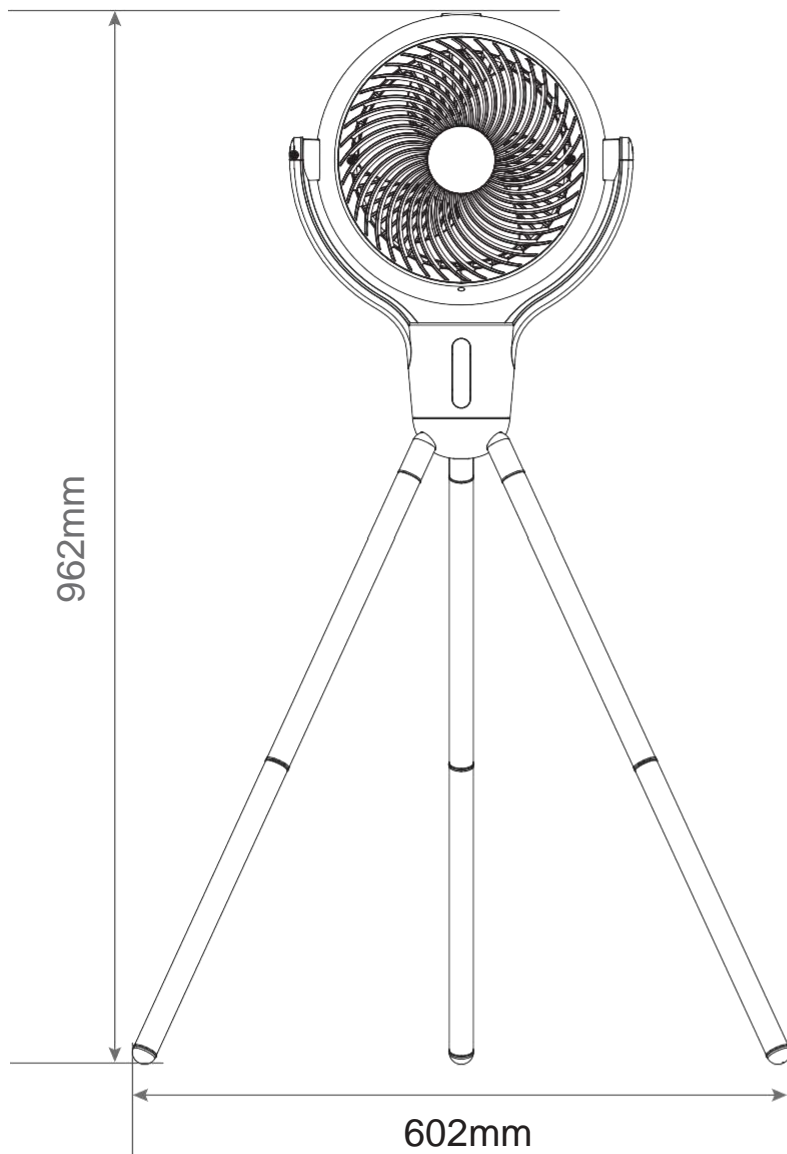
WIRING DIAGRAM



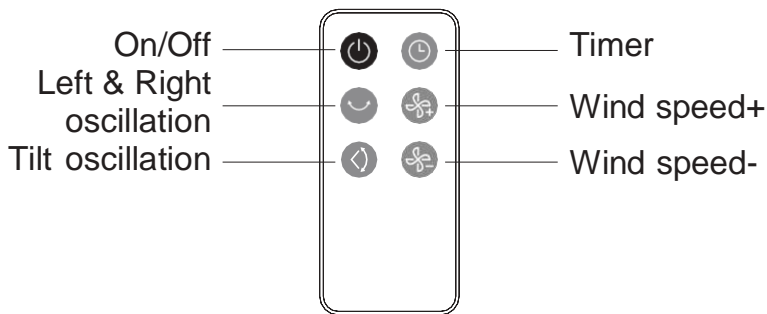
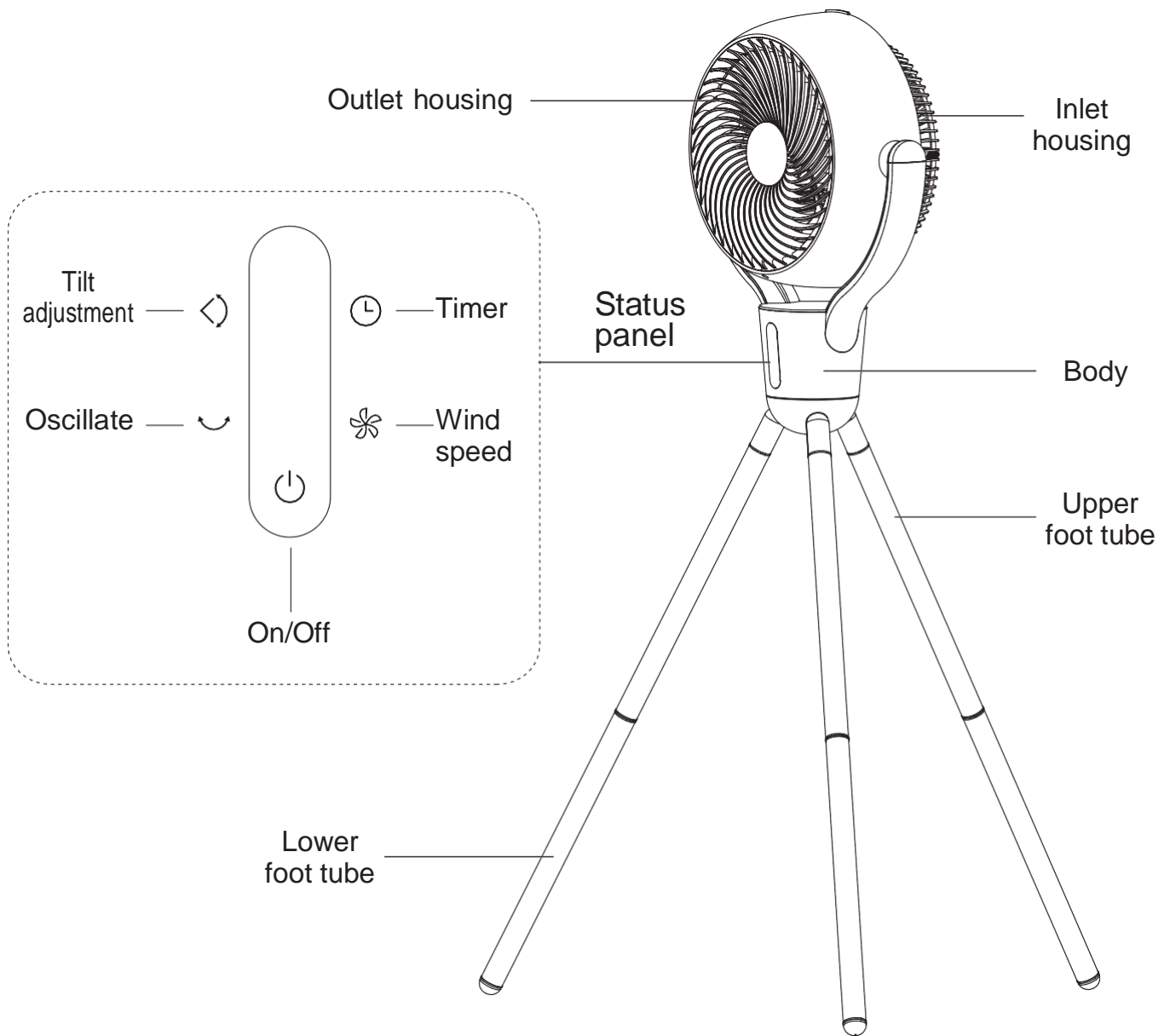
PERFORMANCE FEATURE

- The fan bracket can be disassembled in sections, saving storage space and convenient to use at office, family and dormitory.
- Adjustable wind speed from 1 to 9 grades, Timer setting from 1 to 8 hours.
- Remote control operation, more comfortable to use.
- Wide-angle air supply. The oscillation angle can reach 120° while the tilting head up to 100°.

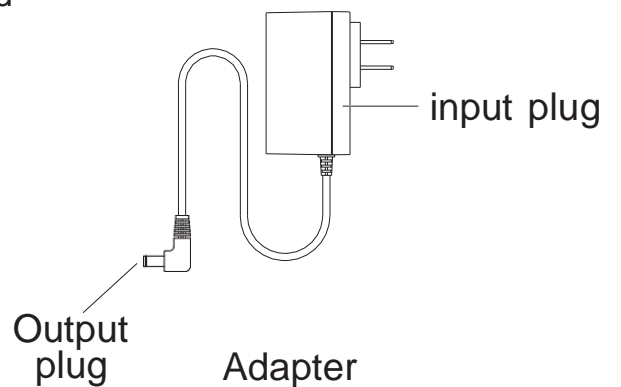
PRODUCT SIZE



MAIN PARTS



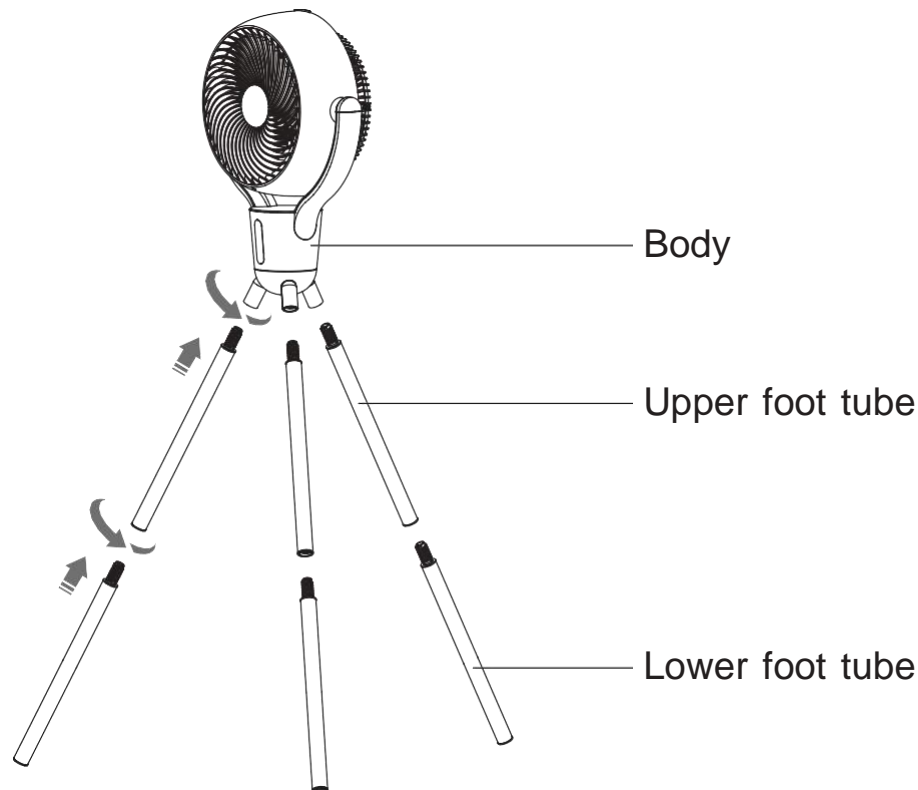
Remote-control unit
(For the first time, please pull out the battery insulation sheet)



INSTALLATION

Notice: Do not insert the adapter output plug into the body when installing fans

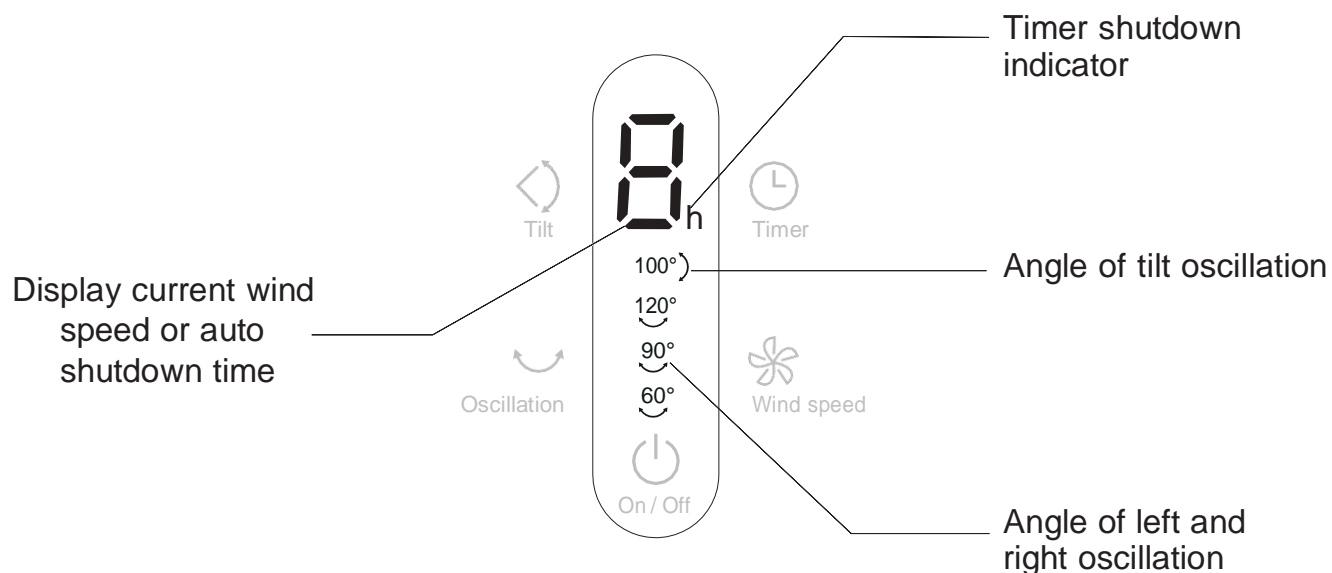
Align the lower foot tube with the thread hole of the upper foot tube in turn, tighten clockwise; Then, align the foot tube with the thread hole of the body and tighten it clockwise. (As shown below)




USE GUIDE

- After assembling the fan components according to installation requirements, place the fan on a smooth ground or table top, insert the power adapter output plug (DC24V 1A) into the power input port at the bottom of the fan head, and then insert the adapter input plug into the household power socket.
- After the preparation, the fan can be controlled by the touch switch on the control panel, or the remote control can be used to control the operation. (Before using the remote control, remove the battery isolation strip at the end of the remote control)


OPERATING INSTRUCTION




1. On/off

After the plugging in of the unit, press the On/Off button “” in standby state, and the fan enters I speed working mode. Press the switch button again, and the machine enters standby state.


2. Wind speed adjustment

After the switching on of the fan, touch the wind speed button “” lightly, the wind speed will increase by 1 speed according to the current speed every time. If wind speed is adjusted to 9 speed, press the wind speed button again and the gear will continue to circulate from 1 speed.


3. Timer setting

After the turning on of the fan, press the timer button “” in the control panel. Press the timer button consecutively to set the time of operation from 1 hour up to 8 hours. To remove timer, press the timer button until "0h" appears.

4. Oscillation setting

When the fan is running, tap the oscillation button “” to enable the oscillation function. The angle of oscillation is 60 degrees. Tapping the button continuously, and the angle of the oscillation increase to 90 degrees and 120 degrees successively until the oscillation function is closed.

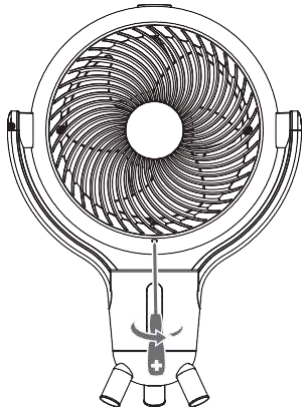
5. Tilt setting

When the fan is running, tap the tilt oscillation button “” to enable the fan tilt oscillation function. The fan tilt angle is 100°. Tap the tilt oscillation button again to turn off the tilt oscillation function.

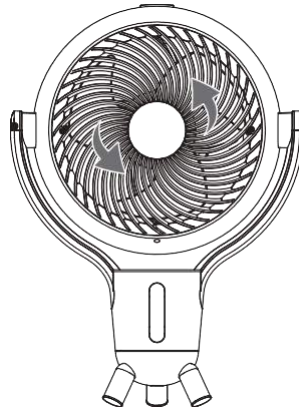
COMPONENT DISASSEMBLY INSTRUCTION

FRONT HOUSING DISSASSEMBLING

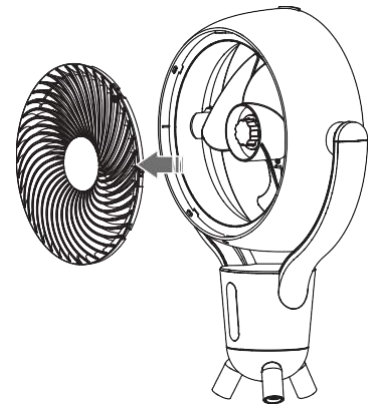
1 Turn the phillips screwdriver counterclockwise to remove the outlet housing screw



2 Rotate the outlet housing counterclockwise to unlock

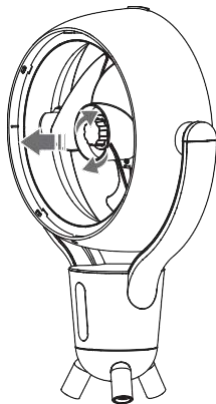


3 Remove the outlet housing

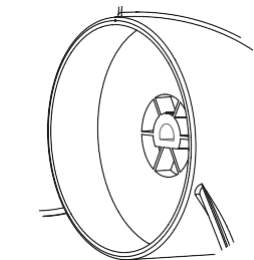
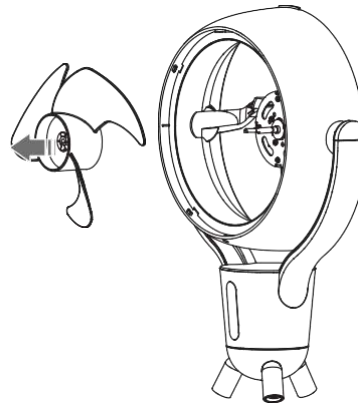


BLADE DISSASSEMBLING

4 Rotate clockwise to release blade lock



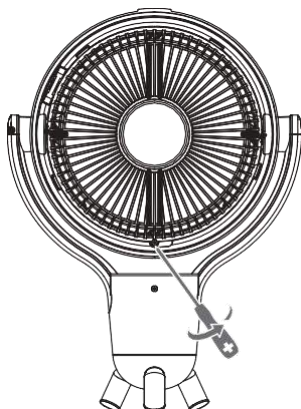
5 Draw blade forward to remove blade



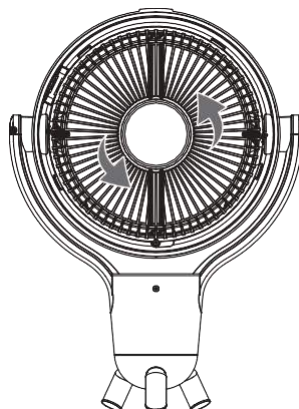
Obverse of blade

REAR HOUSING DISSASSEMBLING

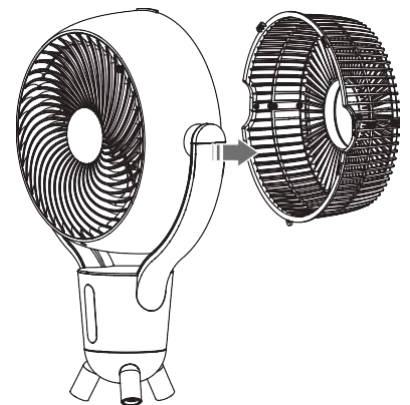
6 Turn the phillips screwdriver counterclockwise to remove the inlet housing screw

















7 Rotate the inlet housing counterclockwise to unlock




8 Remove the inlet housing



NOTES :

-  Please use the power adapter provided with the product. Before use, please make sure that the input voltage is used as required by the adapter within the voltage range (Adapter input : AC100-240V, 50/60Hz; output: DC24V, 1A).
-  The user is not allowed to disassemble and replace the internal parts of the fan at will. If there is any fault, please contact the after-sales service department for repair.
-  Product features and specification are subject for change without prior notice.
-  If the appearance and color of the product are changed, please refer to the actual product.
-  Avoid aiming directly to babies and elderly for a long time as the product wind is strong
-  When the power cord or product is found to be damaged or unsafe, please suspend the use. Contact the Authorized Service Center or its after-sales service agents to replace the product. Do not repair and check by yourself.
-  Children, elderly or patients who have lost the ability to take care of themselves should use this product under adult supervision to prevent accidents.
-  This product should be placed out of reach of children, and the children should be taught correctly. Do not use this product as a toy.
-  In order to avoid electric shock, no part should be in contact with water.
-  There can be no objects blocking the air inlet/outlet.
-  Please use this product in an environment of 0~40°C. Don't put the fan in the bathroom, humid or very high temperature place, so as not to damage the product.
-  Please keep the fan away from soft objects such as curtains and door curtains to avoid getting caught in the fan.
-  Please unplug the power plug before cleaning or moving the product.
-  When the fan is not used for a long time, please unplug the power plug to prevent the product from shortening the product life and causing accidents or dangers in the standby state for a long time.

- ⚠ Do not put fingers, other body parts or debris into the air inlet/outlet to avoid injury and damage to the product.
- ⚠ Do not put wet towels or wet wipes on the product to avoid electric leakage and electric shock accidents.
- ⚠ When removing the protective shell for cleaning, be careful not to touch the touch buttons to avoid accidents in the operation of the product.
- ⚠  Please do not throw this product away with other household waste. When it is no longer used, the product must be sent to the appropriate department for recovery and recycling. If you place electrical appliances in a landfill or garbage dump, harmful substances may seep into the groundwater, enter the food chain and harm your health and life.

CLEANING MAINTENANCE AND SAFETY MATTERS

1. When cleaning, maintaining or moving the product, you must first turn off the product and then unplug the power cord.
2. The fan must be completely stopped before it can be cleaned to avoid injury.
3. Do not immerse the power cord or main unit in water for cleaning or wash it under a faucet. The internal parts of the fan must not be wetted.
4. Do not use detergent, wire brush, gasoline, alcohol, vinegar or other volatile corrosive liquids to clean the product to avoid damage to the product.
5. Clean the surface of the fan with a slightly damp cloth.
6. After cleaning, the product must be complete dry before it can be connected to the power supply
7. If you will not use it for a long time, please store the product back in the box and store it in a dry, cool and safe place.

6. After cleaning, the product must be completely dry before it can be connected to the power supply.

TROUBLESHOOTING

7. If you will not use it for a long time, please store the product back in the box and store it in a dry, cool and safe place.

8. The humidifier needs to take the absorbent cotton out of the product, and gently squeeze the water out, then place the absorbent cotton in a dry and ventilated place, let it dry naturally and store or use it again; clean the atomized sheet part with a soft brush.

9. When cleaning the outer surface of the humidifier, dilute it with a neutral mild detergent, and then wipe it with a cloth dampened with it.

FAULT DESCRIPTION	CAUSE ANALYSIS	TREATMENT MEASURES
Machine can't work	The adapter is not plugged in. No power supply.	Plug in the adapter power cord plug. Replace power supply.
Abnormal sound	The switch button is out of position. Wind leaf cracking. Motor damage.	Press the switch button again. Replace the fan blades. Replace the motor.

Attention

Do not install three brackets only!
It will cause the product to be unstable in use and there is a risk of dumping.

The design and specifications are subject to change without prior notice for product improvement. Any updates to the manual will be uploaded to the service website, please check for the latest version.

If you have any concerns, please contact us at the following:

Customer hotline: (02) 8852-6868
Text hotline: +63 917-881-8982
Email: customerservice@kolinphil.com.ph

Also, please like and follow us on our social media accounts:

Facebook: kolinphilippines
Instagram kolinphilippines
Youtube: kolinphilippines
Tiktok: kolinphilippines
Website: www.kolinphil.com.ph

KOLIN PHILIPPINES INT'L., INC. SERVICE CENTERS

BRANCH	ADDRESS	TEL. NO.
Bacolod	Door #A-2 & A-3 UTC Bldg., Alunan St., Brgy. Singcang, Bacolod City	(034) 433-0031
Cagayan De Oro	Door #3 De oro Land Bldg., Julio Pacana St., Puntod, Cagayan De Oro City	(088) 856-4672
Cebu	Unit #6 A. Geson Bldg., D. Jakosalem cor. F. Ramos St., Cebu City	(032) 253-9997 / (032) 253-7944
Dagupan	Unit #1107 Caranglaan District, Dagupan City Pangasinan	(075) 523-2832
Davao	Blk 17 Lot 9, Calamansi St., Juna Subd., Matina, Davao City	(082) 227 - 7063
Iloilo	Door #4 D' Appliance Arcade, South Fundidor, Moli, Iloilo City	(033) 336-1970
Pampanga	LRK Commercial Bldg., Jose Abad Ave., Lagundi Mexico, Pampanga	(045) 455-2934

For More air conditioner tips, please like, share and follow us on our social media accounts:

Facebook: kolinphilippines
Instagram: kolinphilippines
Youtube: kolinphilippines
Tiktok: kolinphilippines
Website: www.kolinphil.com.ph

OFFICE

Kolin Bldg., 1854 Sta. Rita St.,
Guadalupe Nuevo, Makati City
Service Hotline: (02) 8852-6868

PLANT

Blk 3 Lot 5, Main Drive First Cavite
Industrial Estate, Langkaan 1,
Dasmariñas City, Cavite
Tel. No.: (046) 402-0793